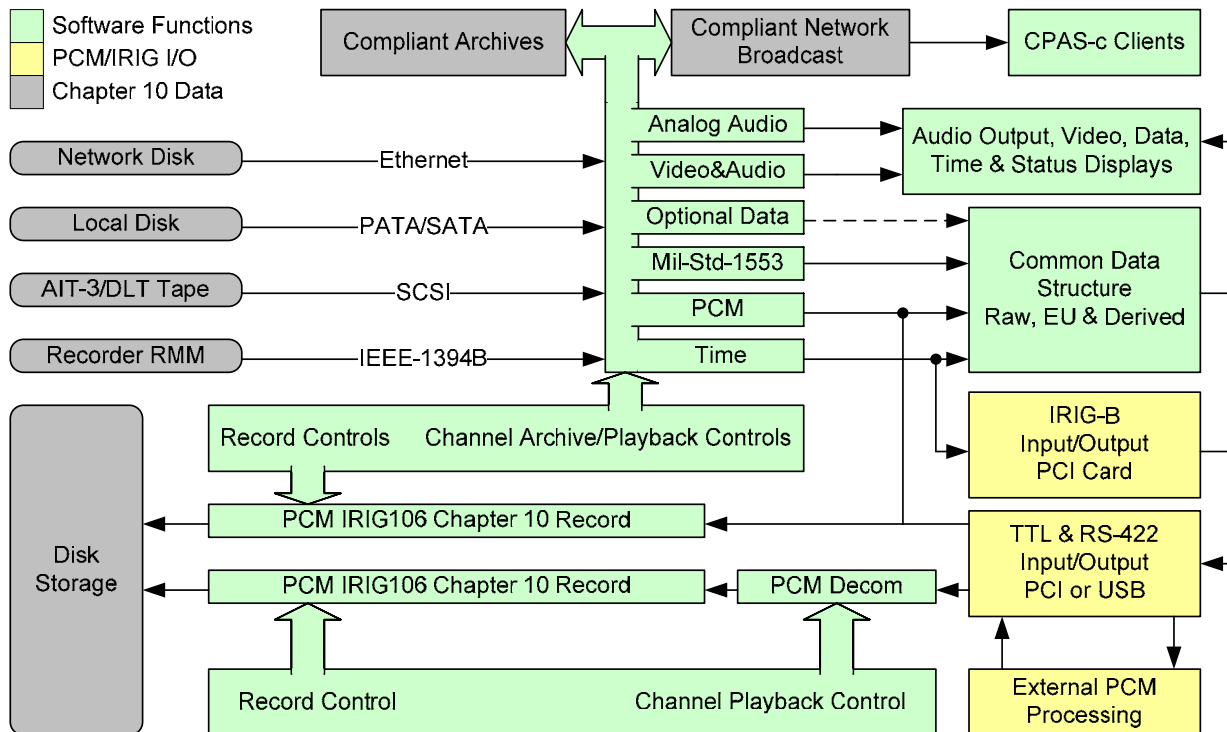




CPAS-p

Chapter 10 Processing & Analysis System-playback (CPAS-p) was first developed and fielded in 2002 & has since been in continuous use supporting flight test programs utilizing **IRIG106 Chapter 10** recorders. CPAS-p is a Windows based PC capable of playback, display, reconstruction, recording and archival from **IRIG106 Chapter 10** compliant RMM's, AIT-3 tape or disk based files.

CPAS-p is the only DoD acceptance tested & validated IRIG106 Chapter 10 real-time data processing, display & reconstruction system available today.



CPAS-p Features

- ◆ Real-Time IRIG106 Chapter 10 Data Processing from:
 - Compliant RMM via IEEE-1394B
 - Local & Network Disk Files
 - AIT-3 or DLT Tape via SCSI
- ◆ Over 50 Display Types
 - Current Value, Frequency & Time Domain, Digital Filters, 2D/3D Flight
- ◆ Math Engine & Derived Parameters
- ◆ PCM Reconstruction/Record Capability with PCISD401-2 Soft Decom Card & Library
- ◆ IRIG-B Time Code Generation
- ◆ Chapter 10 Network Data Broadcast
- ◆ Post-Processing and Report Generation
- ◆ Client Software Available with Full Displays and Local Recording Capabilities
- ◆ ARINC 429, UART, Discrete & Ethernet Decoders Also Available

For more details contact:

JDA Systems, 4080 Pike Lane, Concord, CA 94520-1227

Tel: 1-800-381-3305 Fax: 1-800-381-3305

Web: www.jdasystems.com E-mail: sales@jdasystems.com

CPAS-p has database import and export functions providing the capability to program stream and data formats using TMATS and other popular databases including Excel, Access, dBase and Oracle. It includes a raw and engineering unit's data export utility in both binary and ASCII formats that are compatible with many data analysis applications.

User processes can be generated for derived parameters using a free-form Math Engine with syntax that is a subset of Basic. Parameters derived by the math engine may be used just like any other parameter; even as inputs to new derived parameters.

Over 50 different display types are provided within **CPAS-p** that are simple to generate and setup. Each display window has individual user defined characteristics, and many displays of different types may be configured on a single screen.

CPAS-p can optionally broadcast data during playback or record in IRIG106 Chapter 10 format. **CPAS-c** client programs can receive, display & record broadcasted data.

IRIG-B Time Code Generation



- ◆ IRIG A/B Input
- ◆ IRIG B Output
- ◆ 1 PPS Output
- ◆ $\pm 5 \mu\text{sec}$ Accuracy
- ◆ BNC/DB-9 Connectors

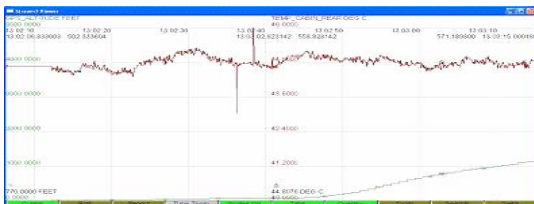
PCM Reconstruction/Ext. Input



- ◆ PCI or USB
- ◆ (4) TTL/RS-422 Inputs & Outputs
- ◆ (1) IRIG A-B-G Input
- ◆ (4) Digital Bit Sync's (Optional)

Optional Chapter 10 Data Plotting & Reporting

- ◆ Multiple Parameter Display with Overlaid or Stacked, Time Aligned Traces
- ◆ FFT and Digital Filtering
- ◆ Plot Channel vs. Time (Y-t plot)
- ◆ Channel vs. Channel (X-Y plot)
- ◆ Direct Cursor Access to EU Converted Data
- ◆ Display Min/Max Values Between Decimation Points
- ◆ Digitally Filter Data (High/Low/Band Pass)
- ◆ Text Insertions with Data Values, Time
- ◆ Data Zoom to Individual Sample Level



CPAS-p Ordering Information

- JDA-CPAS-p-1:** Desktop or Rackmount PC System with IRIG I/O, PCM I/O & AIT-3 Tape
- JDA-CPAS-p-2:** All JDA-CPAS-p-1 Features with Plotting & Reporting
- JDA-CPAS-p-3:** All JDA-CPAS-p-2 Features with IRIG106 Chapter 10 Network Data Broadcast
- JDA-CPAS-c-1:** Single Seat CPAS-c Client Software (needs Chapter 10 Network Broadcast System)

Additional IRIG106 Chapter 10 data type decoders can be added separately.

Optional multi-terabyte RAID can be added to PC systems. For details contact JDA Systems

For more details contact:

JDA Systems, 4080 Pike Lane, Concord, CA 94520-1227

Tel: 1-800-381-3305 Fax: 1-800-381-3305

Web: www.jdasystems.com E-mail: sales@jdasystems.com